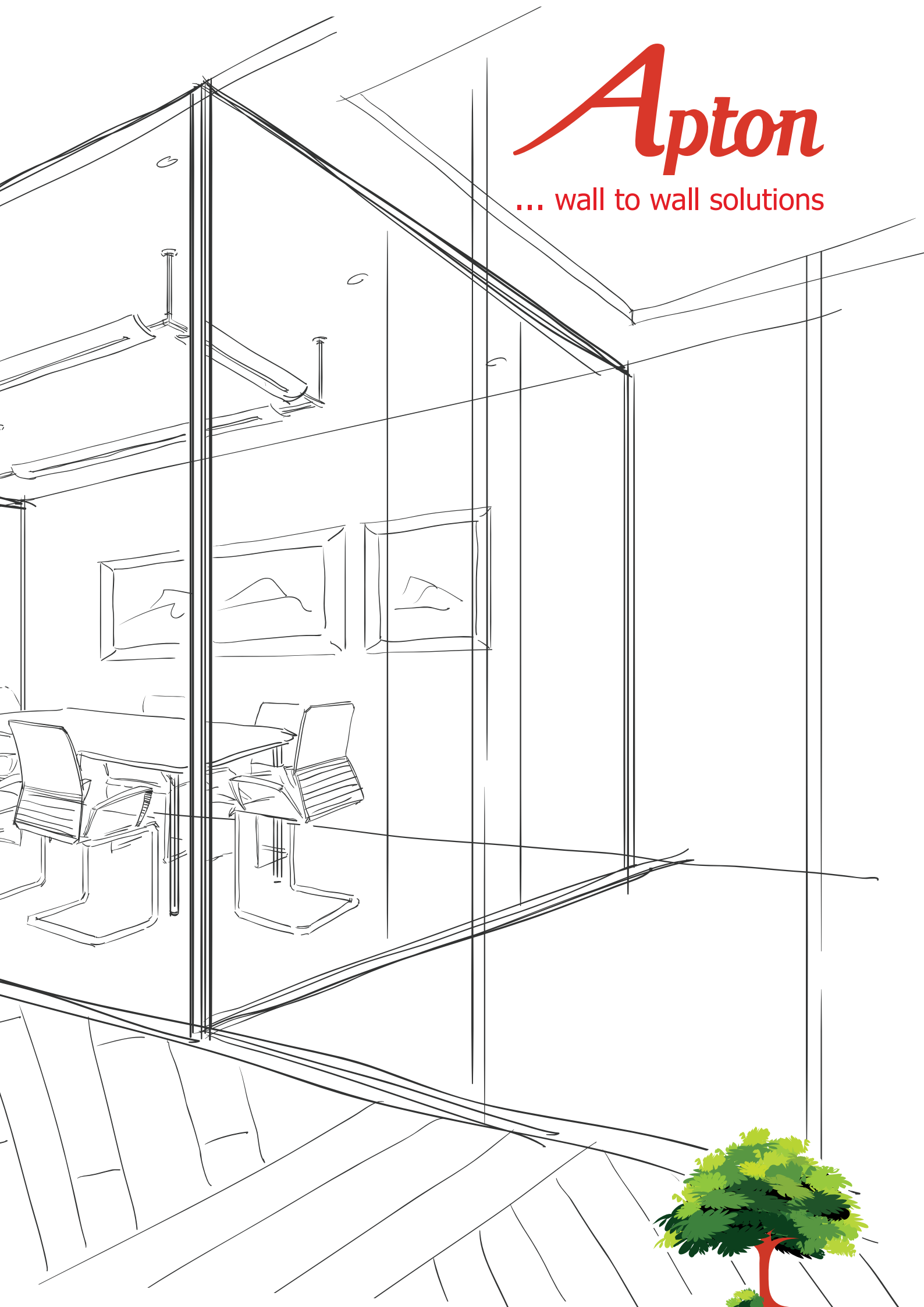


# Apton

... wall to wall solutions





# Quartz 54

Frameless Glazing

Slimline double glazing for minimal aesthetic with the benefit of high acoustic resistance.

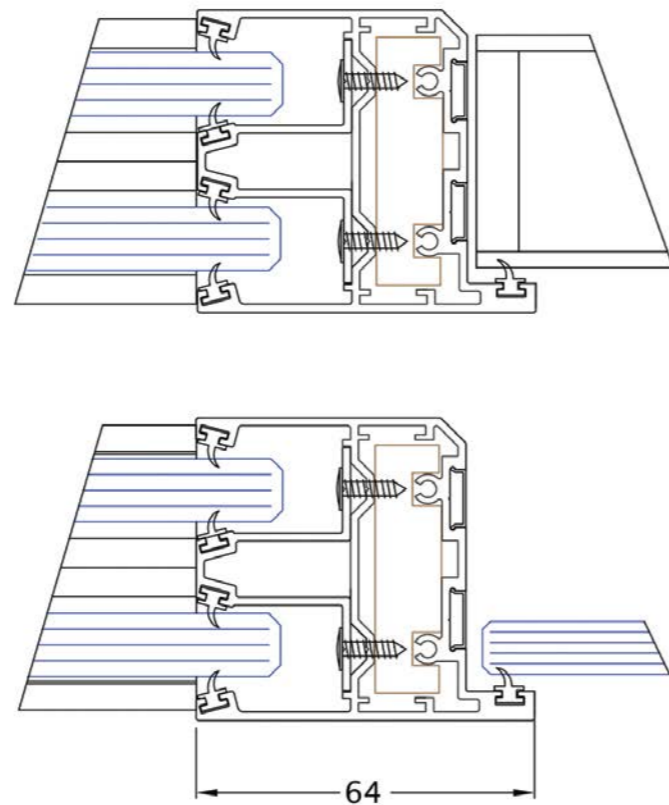
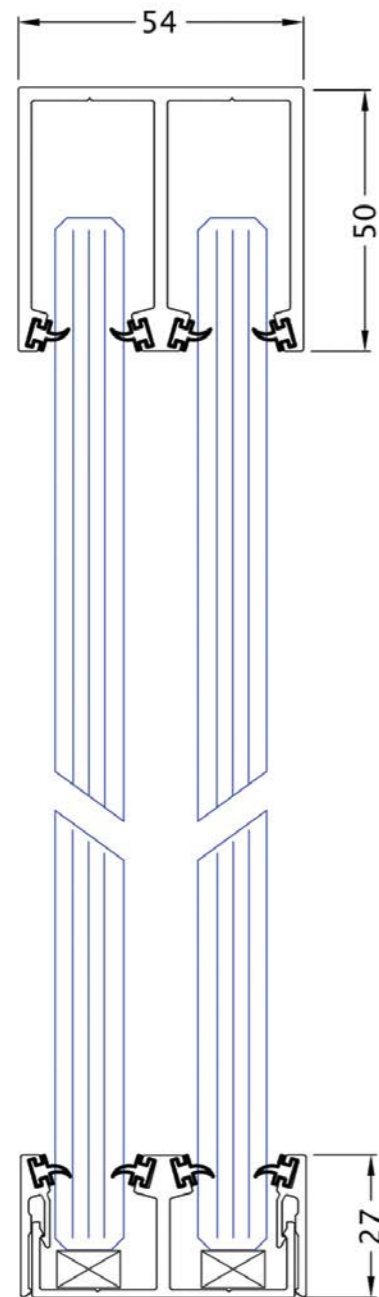
Integrated with the Quartz slimline door frame and either glass and timber swing doors or Quartzglide 2 glass sliding doors, the interior designer can achieve the look and performance.





# Quartz 54

Frameless Glazing



## Quartz 54 Frameless Glazing

Polyester powder coated aluminum tracks  
 'I' section or 'H' section dry points  
 Glass or timber doors  
 Choice of RAL colours

### Technical Specifications:

54 mm wide double glazed  
 Glass thickness 10-12.8 mm  
 Standard tracks 54 mm x 27 mm  
 Deep deflection head track 54 mm x 50 mm  
 Slimline door frame 58 mm x 64 mm  
 Acoustic sound resistance up to 43Rw(cB)

# Quartz 54



## Technical Data

Quartz 54 is double glazed frameless glazing system with a compact track details. A winning combination of double glazed acoustic protection, aesthetic quality and minimum footprint.

### STRUCTURE

#### Partitions:

**Standard Heights:** 10mm glass to 2.7 metres and 12mm glass to 3 metres.

**Tracks:** Polyester powder coated aluminium to BS6063 specification.

**Corners:** Crystal clear PVC joint sections in a range of sizes and configurations are supplied to form 90° corners, 135° corners and 3 way junctions.

**Dimensions:** Double glazed is 54mm x 27mm. double glazed 50mm deep deflection head and a new extra deep two part deflection head detail is now available.

**Glass:** 10mm to 12.8mm glass can be accommodated within Quartz.

**Joints:** Dry jointed with clear PETG material or silicon jointed.

**Blinds:** N/A

### DOOR SETS

**Options:** Frameless glass, framed glass, timber, double glazed GDS or Style doors complement the Quartz 54 system.

**Solid doors:** Timber doors are 44mm solid core in a choice of veneers.

**Door frames:** Aluminium full height.

Doors are mounted on to either hinges, pivots or sliding tracks.

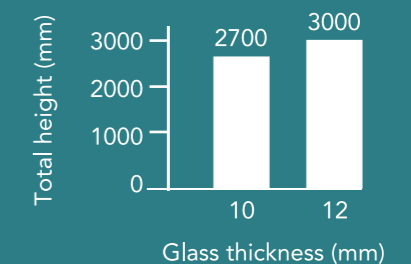
A range of ironmongery can be supplied with Quartz 54 doors.

### FINISHES

All exposed aluminium sections are pre-finished with a polyester powder coating in a range of RAL colours.

### SIZE LIMITS

Quartz 54 is designed for installation in areas up to 3 metres high.



### ASSEMBLY CHARACTERISTICS

Quartz 54 tracks consist of a channel and bead, where the channel is fixed to the existing surface and the bead located into the channel. The glass is then installed, joined by a choice of junctions available and secured by a snap-in profile.

### PERFORMANCE

**Sound reduction:** BS EN ISO 140; Rated weighting to BS EN ISO 717.

**Acoustics:** Double glazed 44Rw(dB).

**Structural:** BS5234, BS6180 and BS6399. Commercial office (BS medium duty).



Quartz 54 is designed and manufactured by Apton Partitioning Limited in the UK.

**Apton Partitioning Limited –United Kingdom**

Unit 3 Cannon Business Park Gough Road Coseley West Midlands WV14 8XR

Tel: +44 (0) 1902 385 250

Fax: +44 (0) 1902 385 255

Email: [enquiries@apton-partitioning.com](mailto:enquiries@apton-partitioning.com)

[www.apton-partitioning.com](http://www.apton-partitioning.com)

