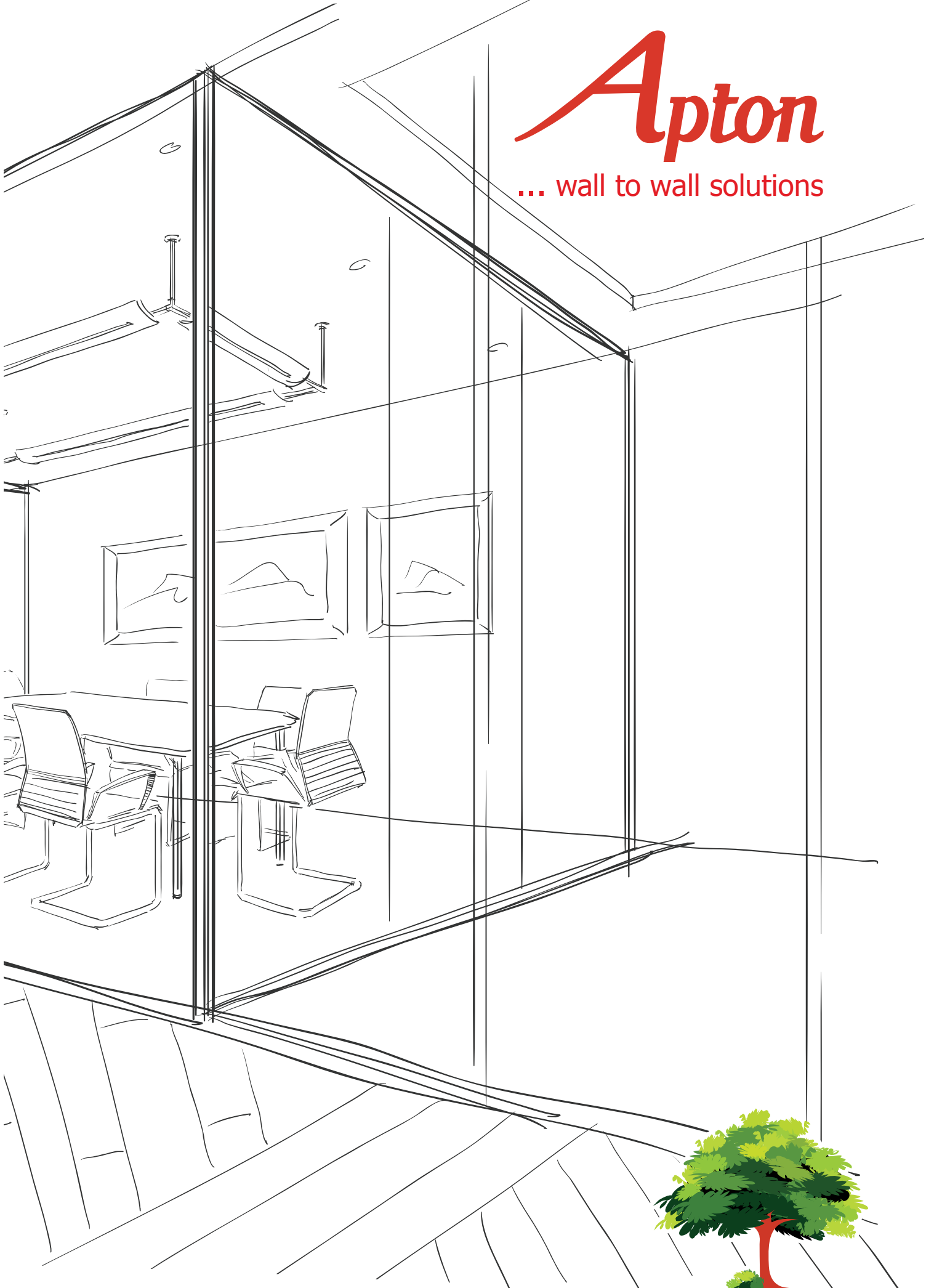


Apton

... wall to wall solutions



Apton Doors

Interior Door Systems



Framed Glass Doors

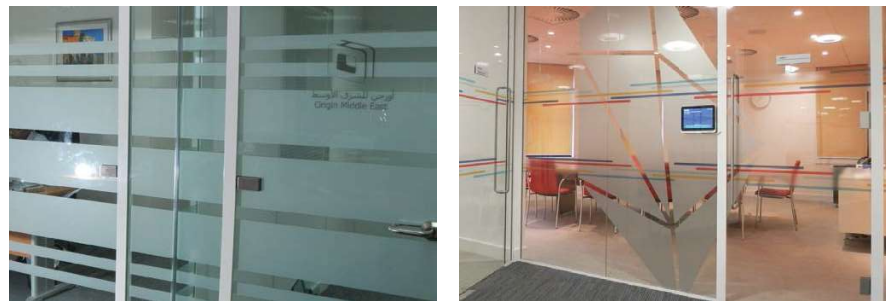
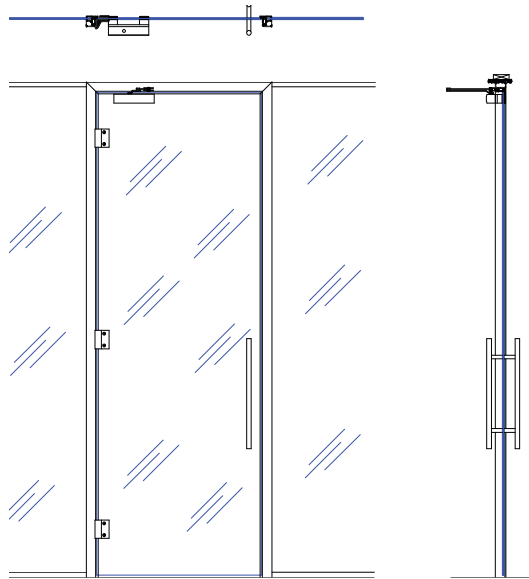
Framed glass doors are available with up to four patch hinges and sit flush within Apton aluminium frames. Apton framed glass doors are perfect for improved acoustic performance. Apton Single Glazed Doors are available in 10/12mm clear toughened glass for non-fire rated and 10mm Pyran S for fire rated applications. Hinged glass partition doors are both versatile and durable for a wide range of environments.

Single Glazed Framed Glass Door Hinges & Overhead Closer

Frameless toughened glass leaf into any single glazed (or double glazed) frame - single glazed shown. Provides option for electronic access equipment, plus added acoustics over frameless.

Technical Specifications:

- Maximum floor to ceiling height 3,000mm.
- Maximum door width single 900mm Single and double door sets.
- FR30/0 door sets available in single doors.
- 3 or 4 hinges with overhead closer
- Lock and lever or pull handles with lock option available.
- 10/12mm toughened glass doors.



Framed Double-Acting Glass Door

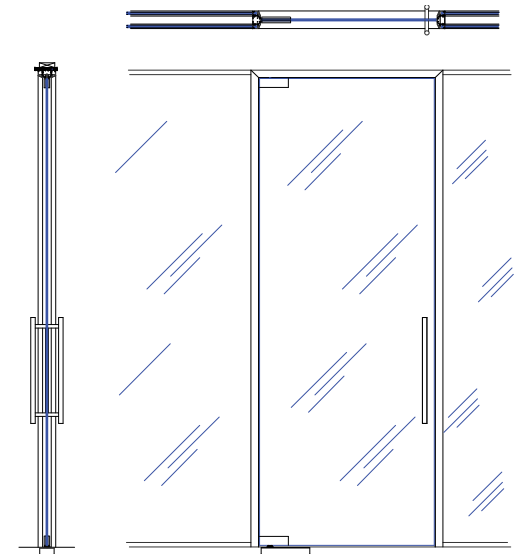
Double acting frameless glass leaves into Apton systems. Available as single, double, hospital and leaf and a half door sets with options for handles, locking and hold open floor springs.

Double Glazed Double-Acting Framed Glass Door Springs & Pivots

Frameless toughened glass leaf into any Double Glazed system. The elegant and minimal solution for frameless glass leaves into any Double Glazed system.

Technical Specifications:

- Maximum floor to ceiling height 3,000mm.
- Maximum door width single 900mm. Single and double door sets.
- Upper and lower patch fittings with lock option available.
- 10/12mm toughened glass doors.



Apton Doors

Interior Door Systems



Frameless Glass Doors

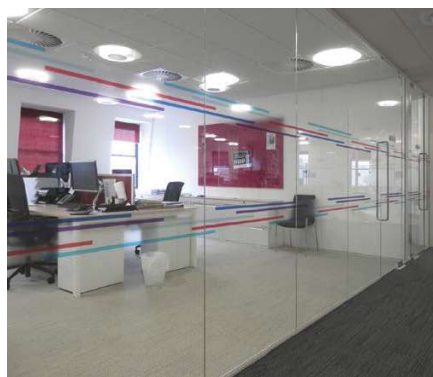
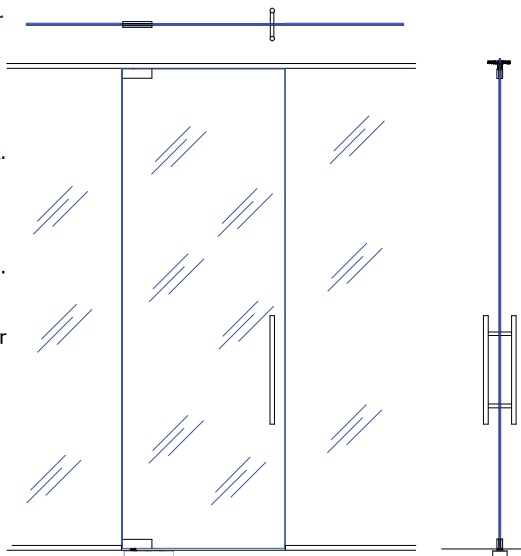
Frameless glass doors are fitted on a two way pivot system which allows the door to operate on a self-closing mechanism. These luxury single glazed doors can be integrated with our Quartz glass partitions to offer a fully frameless designer appearance. Frameless glass pivot doors are compatible in any commercial environment.

Single Glazed Frameless Glass Door Springs & Pivots

Single glazed Quartz system.
Minimum framing for maximum glass look.

Technical Specifications:

Maximum floor to ceiling height 3,000mm.
Maximum door width single 900mm.
Single and double door sets.
Upper and lower patch fittings with floor spring or free pivot.



Sliding Glass Doors

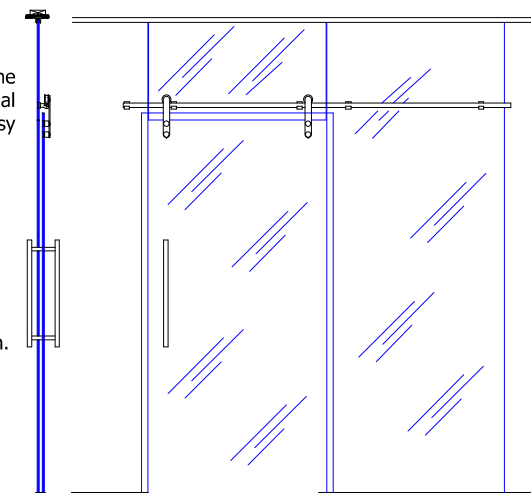
For that architectural stainless and glass aesthetic, Quartzglide 1 is the obvious choice. Minimal framework combined with ease of operation and an ability to blend with and enhance buildings both old and new make Quartzglide 1 a logical choice.

Quartzglide 1 - Sliding Glass Door Stainless Steel Architectural track

Stainless steel bar mounted onto the toughened glass provides the minimal architectural appearance with easy operation and maintenance.

Technical Specifications:

Maximum floor to ceiling height 3,000mm.
Maximum door width single 1,000mm.
Single and double door sets.
10mm toughened glass doors.
Bottom lock available.



Apton Doors

Interior Door Systems



Sliding Glass Doors

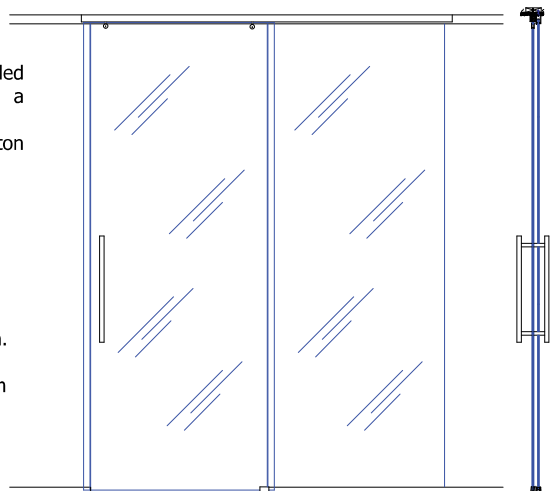
Quartzglide 2 is the Apton solution for those areas where concealed runners are the preferred requirement, providing a visual impact of unimpeded glass from floor to ceiling. The uncluttered floating appearance of Quartzglide 2 is the prime reason for its selection in the modern office environment.

Quartzglide 2 - Sliding Glass Door Door Concealed Runners

Head mounted PPC track with concealed sliding door running gear provides a clean full height aesthetic. Door shown in conjunction with Apton Quartz Frameless glazing.

Technical Specifications:

Maximum floor to ceiling height 3,000mm.
Maximum door width single 1,000mm.
Single and double door sets.
10mm toughened glass doors. Bottom lock available.



Sliding Glass Doors

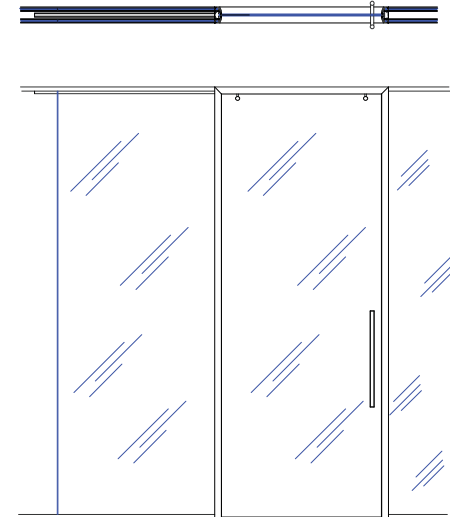
Where acoustic privacy in conjunction with frameless glass is required Quartzglide 3 is the solution. Combined with the Apton Quartz double glazed system, Quartzglide 3 provides the highest level of glass sliding door acoustic performance with an unmatched elegance.

Quartzglide 3 - Sliding Glass Door Cavity Concealed Track

Cavity (pocket) sliding glass door. Track concealed within the door frame. Door shown in conjunction with Apton Quartz Frameless Glazing. Non-trip hazard floor guide provides 360° sealing for improved acoustics.

Technical Specifications:

Maximum floor to ceiling height 3,000mm.
Maximum door width single 1,000mm
Single and double door sets.
10mm toughened glass doors. Bottom lock available.



Apton Doors

Interior Door Systems



Stile Door

The Stile Aluminum Framed Single glazed acoustic doors. They create a feeling of privacy whilst maintaining an unrestricted visual of an open office. Operated on hinges with an overhead door closer, the doors can be installed into any frame designed to accept a 44mm door. The doors are available with a choice of ironmongery.

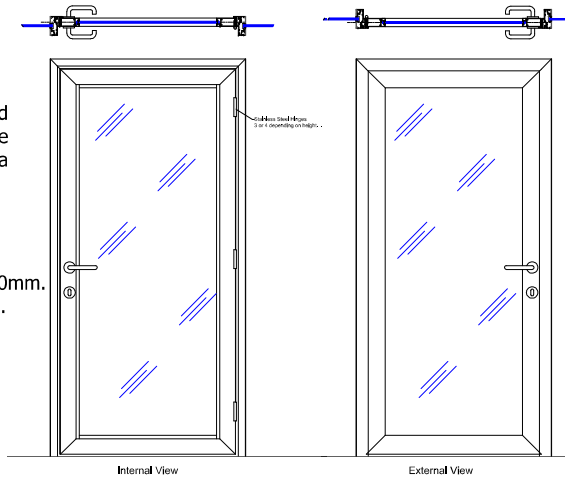
High acoustic options are available providing sound resistance up to 39 Rw(dB)

Stile Door
Hinges & Overhead Closer

The 10mm toughened glass integrated between aluminum frame to achieve a better acoustic and provides a minimalistic look.

Technical Specifications:

Maximum floor to ceiling height 3,000mm.
Maximum door width single 1000mm.
Single and double door sets.
Lock and lever or pull handles with lock option available.
Overall thickness: 44mm



Timber Doors

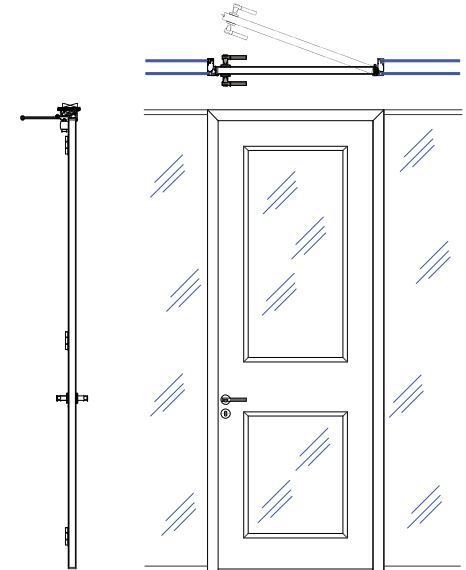
The Apton timber door range includes every type of internal door from 44mm standard to 54mm FD60 in a wide range of veneers and vision panels. Compliance with DDA regulations, a choice of ironmongery, access controls and bespoke options combine to meet the required specification.

Timber Doors into Apton Frames

Choice of veneers and vision panels
Full or standard height
Overpanel option
Universal door frame option available

Technical Specifications:

44mm or 54mm solid core doors
Maximum floor to ceiling height 3,000mm
Maximum door width single 926mm
Single and double door sets
Lock and lever or pull handles
FD30 door sets available



Apton Doors



Ironmongery

Glass

Apton glass door ironmongery collection ranges from contemporary to classic in order to cater for all architecture specifications. The pull and lever handle options endorse the dimensional guidance of BS 8300 and meet with Part M requirements, therefore are suitable for use in DDA applications. We are able to offer additional options such as self-closing hinges and pivot bars for frameless glass doors.



Timber

There are a variety of timber ironmongery options available across our range of timber doors. This can help create a safe environment for customers and staff, whilst ensuring that the building remains comprehensive and easy to use.



Timber Door Veneers

There may be differences between the actual product and these illustrations as a result of the printing process. Physical samples can be provided on request.



Beech



Maple



Ash



Cherry



Koto



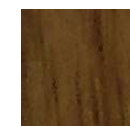
Oak



Ply



Sapele



Walnut

Disability Discrimination Act

The requirements for doors to comply with parts M1 and M2 of the Disability Discrimination Act (DDA), are comprehensive. Door width, access approach, ironmongery, Vision panels, Self-closing mechanism force are all factors to be considered. Please refer to the Apton website (www.apton-partitioning.com), or guidance.

Vision Panel

Glazed Vision Panels are used in order to let light into a room. They can also be used for aesthetic reasons or safety. Vision Panels are available in a range of different sizes. They are supplied with security fixings, glass, gaskets and liner in any door thickness. To ensure that all fire rated doors with Vision Panels meet the specified performance, we recommend that all doors are factory glazed in accordance with the BWF Third Party Certifire Scheme.



Apton Partitioning Limited –United Kingdom

Unit 3 Cannon Business Park Gough Road Coseley West Midlands WV14 8XR

Tel: +44 (0) 1902 385 250

Fax: +44 (0) 1902 385 255

Email: enquiries@apton-partitioning.com

www.apton-partitioning.com

