



## Insight

### Acoustic glass moving walls

Insight is a very special kind of moving wall with maximum transparency and optimum acoustics.

Insight features superb engineering. Each panel is formed from a 90mm aluminum frame overlaid either side with 6mm toughened glass. The frame is concealed by an ultra-thin frit on the inside face in any RAL colour.

The philosophy of precise engineering carries through to the internal mechanisms. Basic panels have extension rods within the frame and the final panel in a run features a telescopic nose in a solid material. Alternatively, an expanding jamb can be specified.

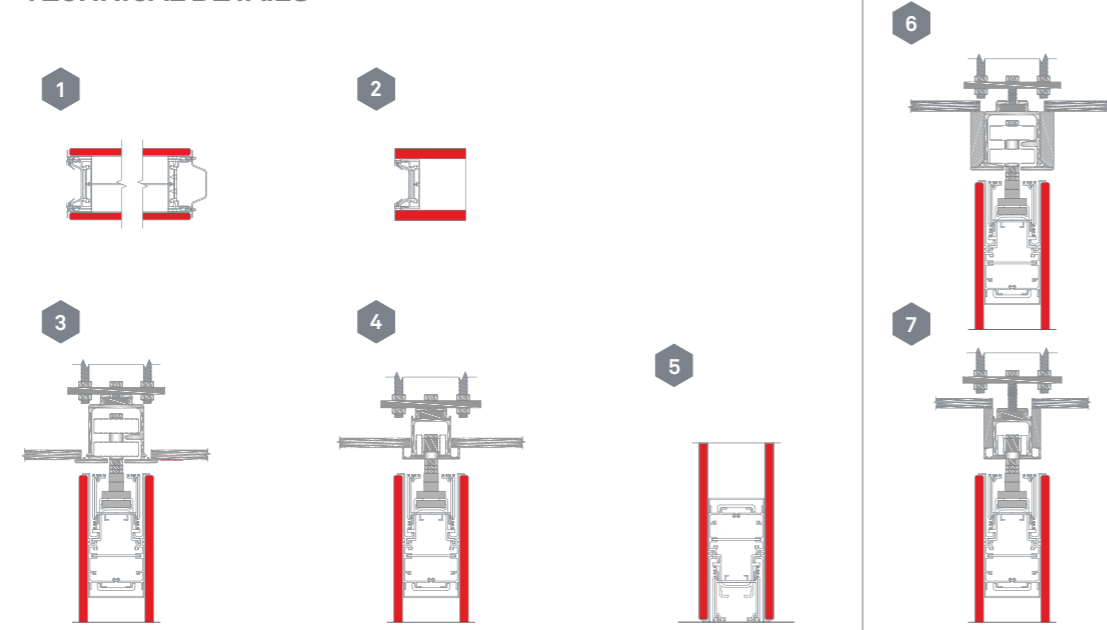
Insight from Apton is the only glass moving wall system to offer a fully glazed pass door, both inset and full-height. The acoustic performance of Insight is a truly remarkable Rw 45db.



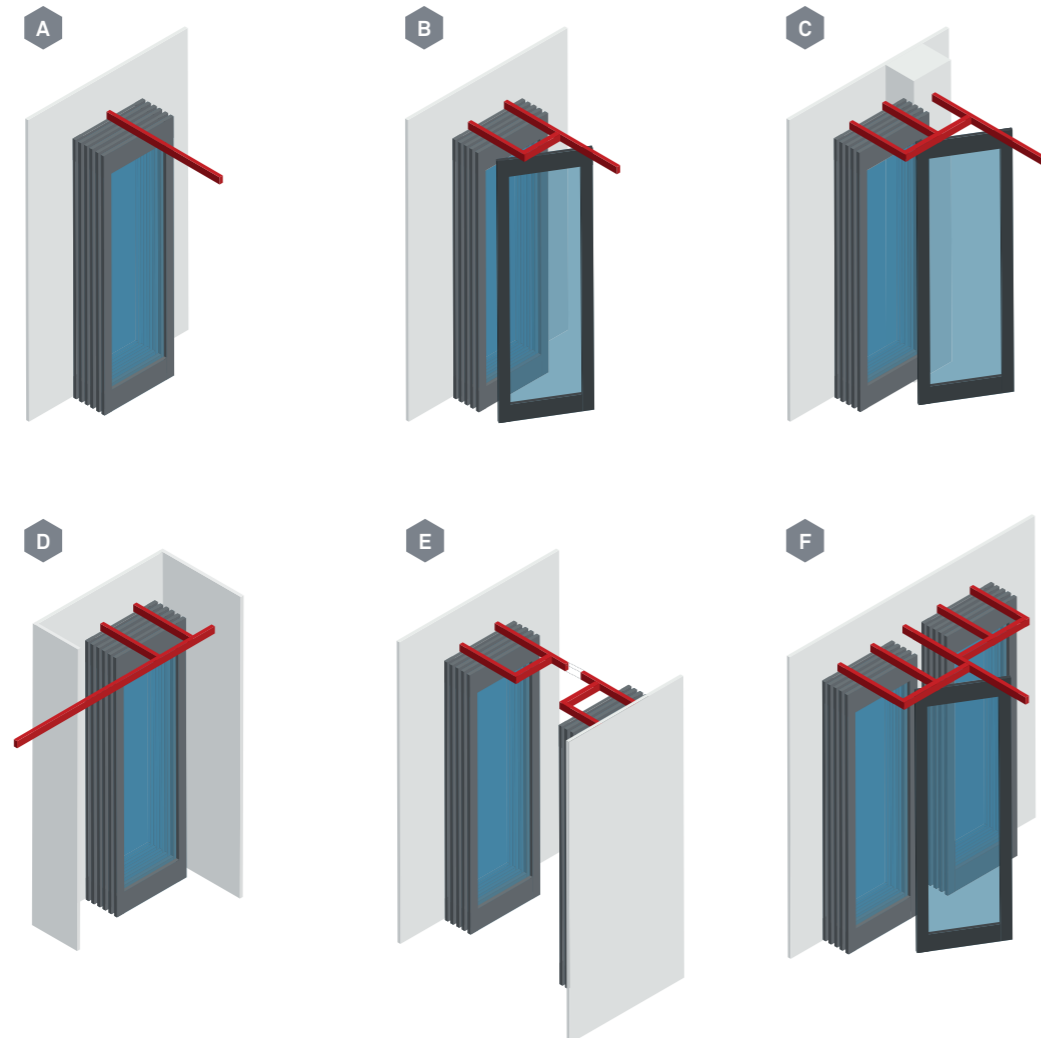
# Insight

## Acoustic glass moving walls

### TECHNICAL DETAILS



### STANDARD STACKING CONFIGURATIONS



- 1. Standard Panel
- 2. Fixed Jamb
- 3. Twin Point
- 4. Single Point
- 5. Floor Seal
- 6. TP with Pelmet
- 7. SP with Pelmet

Contact Apton for info on closing elements: [sales@apton.org.uk](mailto:sales@apton.org.uk)

Config A  
Single-point

Config B  
Twin-point,  
H-park

Config C  
Twin-point,  
Offset Stack

Config D  
Twin-point,  
Linear Stack

Config E  
Twin-point,  
H-park Split

Config F  
Twin-point,  
Split Offset Track

**Please note:**

Panel thickness will vary depending on system type.

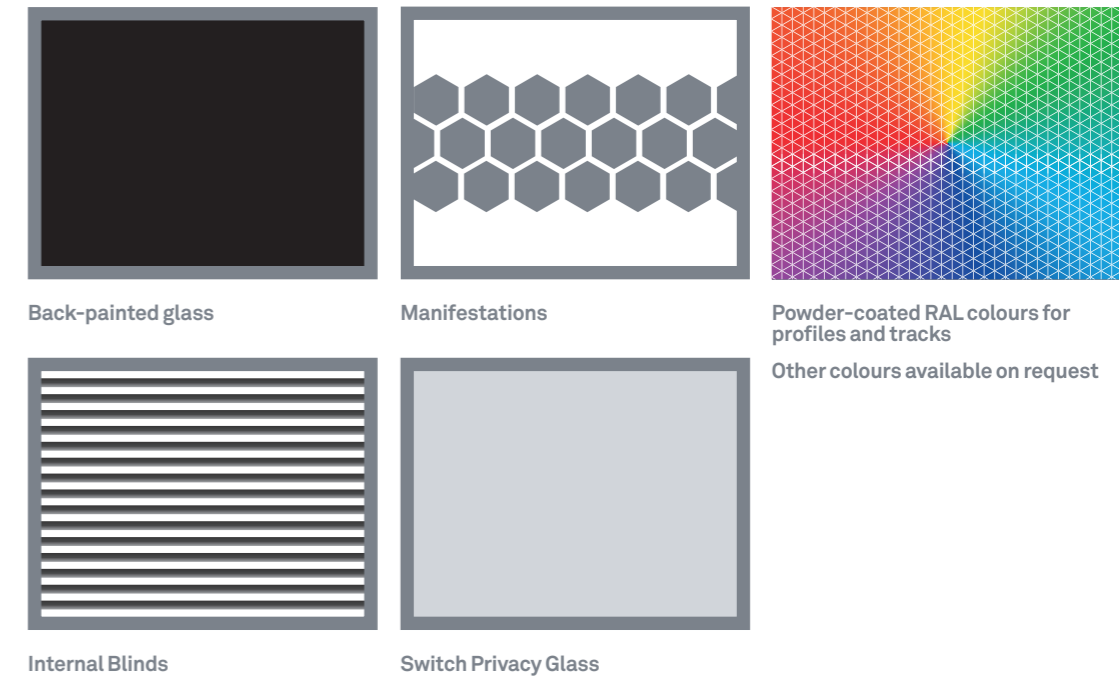
Other stacking options are available on request.

Please contact Apton for further details.

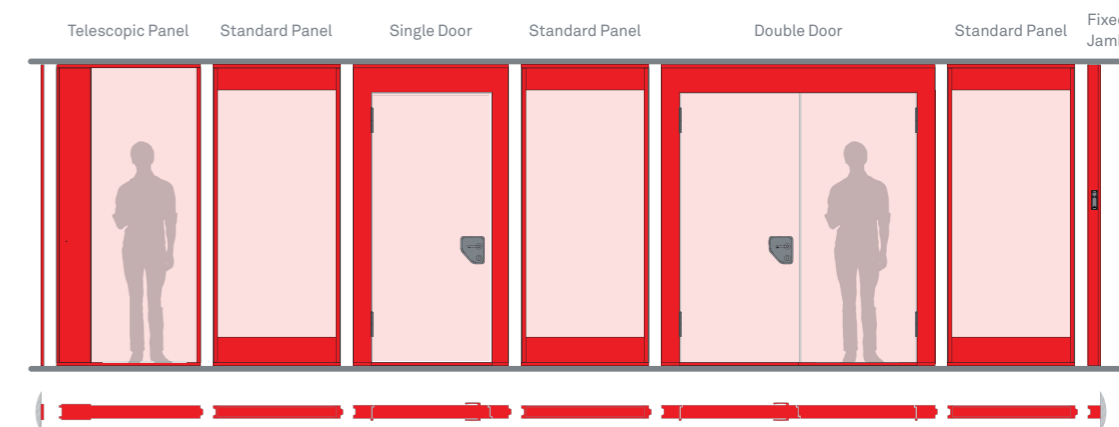
### TECHNICAL INFORMATION

	INSIGHT
Acoustic rating dB (Rw)	45dB
Panel thickness	110mm
Weight KG/M2	Contact Apton for details
Max. height	3500mm
Max. panel width	1250mm
Board type	SAA Aluminium Profiles + Glass
Operable seal	Semi-automatic (button operated)
Track system	Aluminium SP + TP
Tolerance height MM	+/- 3mm
Tolerance width MM	+/- 3mm

### SWATCHES



### AVAILABLE PANELS ELEVATIONS





## FEATURES & BENEFITS

- » Offers space flexibility – configurable space with the added benefit of light transfer.
- » Always semi-automatic operation – speed and ease of use.
- » Sheer glass panels – luxurious light transfer.
- » Maximum acoustic integrity for a glass system – minimal noise transfer between spaces.
- » No floor track – unbroken floor surface.



Head Office  
Unit 3 Cannon Business Park  
Gough Road | Coseley |  
Wolverhampton | WV14 8XR.

Tel: 01902 385 250  
Fax: 01902 385 25  
enquiries@apton-partitioning.com

[www.apton-partitioning.com](http://www.apton-partitioning.com)